

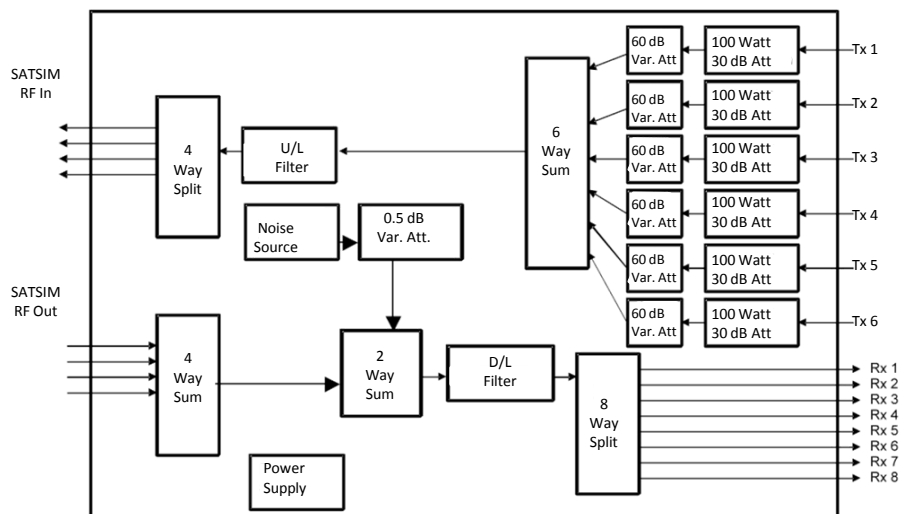


SmartSAT's Combiner Attenuator Test Set (CATS) is a consolidated RF signal combiner/splitter attenuator. Designed to simulate conditions found in UHF SATCOM over-the-air RF transmission and reception, the CATS provides a compact, calibrated network environment. Rugged, reliable, and easy to use, the CATS accepts up to six 100 watt UHF uplink transmitter inputs simultaneously. Each uplink channel provides for programmable signal level control. Downlink signals are combined into a single RF environment with the ability to insert noise from the internal broadband noise generator. The downlink is split eight ways, allowing up to eight receivers or monitoring connections to be made simultaneously. The CATS is ideal for testing environments that require networked radios and for operator training with multiple, simultaneous users.

FEATURES

- Designed for use with the SmartSAT SATSIM,
- Complete network capability in a single unit.
- Accepts up to six simultaneous 100 W UHF transmitters.
- Provides downlink signals for up to eight receivers.
- One year warranty

CATS
SSC-101-400



HIGHLIGHTS

- UHF SATCOM radio and waveform testing requiring network and common RF environments.
- Training capability requiring multiple RF systems and operators to be connected simultaneously.
- Programmable uplink signal levels.
- Provide consistent and repeatable RF environment.
- Remote control to allow dynamic changes to the RF environment.
- All components integrated into a single, compact 19" rack-mount unit.

SYSTEM INTEROPERATBILTY

The CATS combined with the SATSIM4 satellite simulator provide the ideal environment for development and testing of UHF SATCOM waveforms and functions, including:

- Integrated Waveform (CIB / IBS-1 / IBS-S)
- DAMA
- Secure Narrowband Voice
- Network Control



SATSIM4/CATS Combination Test Set
USS-101-400 | SSC-101-400

MECHANICAL SPECIFICATIONS

Weight	<45 lbs
Size	19" Rack mount, 5U 20" Deep

ELECTRICAL SPECIFICATIONS

Input Voltage	100 – 240 VAC 47 – 66 Hz
Power	<5 W Max.

ENVIRONMENTAL SPECIFICATIONS

Storage Temps	-20°C to +75°C
Operating Temps	0°C to +55°C

ACCESSORIES

AC Cables	US 3 Prong Plug
Interface Cable	RS232

PERFORMANCE CHARACTERISTICS

- Maximum input of 100 Watts on each input
- Controlled by touch screen display, or in a stand alone mode from a PC
- Independent programmable attenuators allow for up to 60 dB of level adjustments for each RF channel in 1 dB increments
- Internal white noise generator combines with downlink outputs and may be attenuated up to 60 dB in 1 dB increments
- Combines six 100 Watt RF channels into four low power common RF channels
- Power attenuators reduce power level for direct input to SATSIM

