

SmartSAT's Combiner Attenuator Test Set (CATS) is a consolidated RF signal combiner/splitter attenuator. Designed to simulate conditions found in UHF SATCOM over-the-air RF transmission and reception, the CATS provides a compact, calibrated network environment. Rugged, reliable, and easy to use, the CATS accepts up to six 100 watt UHF uplink transmitter inputs simultaneously. Each channel provides for programmable signal level control. Downlink signals are combined into a single RF environment with the ability to insert noise from the internal broadband noise generator. The downlink is split eight ways, allowing up to eight receivers to connect simultaneously. The CATS is ideal for testing environments that require networked radios and for operator training with multiple, simultaneous users.

CATS SSC-101-400



Features:

Designed for use with the SMARTSAT SATSIM4, four-channel UHF satellite simulator.
Complete network capability in a single unit.
Accepts up to six simultaneous 100 W UHF transmitters.
Provides downlink signals for up to eight receivers.

SPECIFICATIONS:

Mechanical Specifications:

Weight: <45 lbs
Size: 19" Rack Mount 5U 20" Deep

Electrical Specifications:

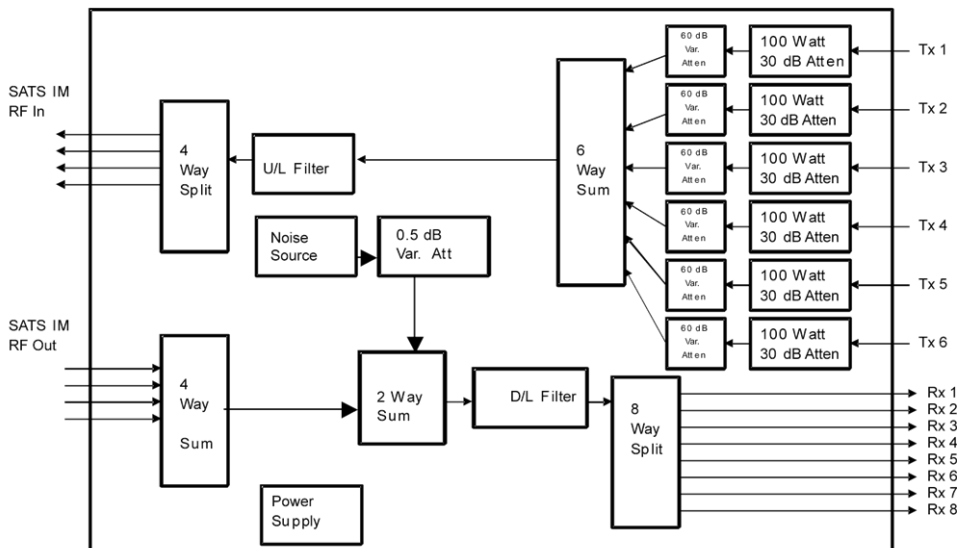
Input Voltage: 100 – 240 VAC
47-66 Hz
Power: 50 Watts Max.

Environmental Specifications:

Storage Temps: -20°C to +75°C
Operating Temps: -0°C to +55°C

Accessories:

AC Cable Standard U.S. 3 prong plug
Interface Cable RS232



Characteristics:

Maximum input of 100 Watts on each input.

60 dB of variable attenuation on each of the six input channels may be controlled from a SATSIM or in a stand-alone mode from a PC. An optional front panel touch screen is also available

Internal white noise generator combines with downlink outputs and may be attenuated up to 60 dB in 1 dB increments

CATS may be controlled from a SATSIM in stand-alone mode from a PC or optional front panel mounted touch screen.

Combines six 100 Watt RF channels into four low power common RF channels

Power attenuators reduce power level for direct input to SATSIM

Independent programmable attenuators allow for up to 60 dB of level adjustments for each RF channels in 1 dB increments

One year warranty

System Interoperability:

The CATS combined with the SATSIM4 satellite simulator provide the ideal environment for development and testing of UHF SATCOM waveforms and functions including:

Integrated Waveform (CIB / IBS-1 / IBS-S)
 DAMA
 Secure Narrowband Voice
 Network Control

Applications:

UHF SATCOM radio and waveform testing requiring network and common RF environments

Training capability requiring multiple RF systems and operators to be connected simultaneously

Programmable uplink signal levels

Provide consistent and repeatable RF environment

Remote control to allow dynamic changes to the RF environment

All components integrated into a single, compact 19" rack-mount unit



SATSIM4/CATS Combination Test Set